

**6pack Dokumentation version 1.2**

**Date : 06.05.2009**

**Version with mastercard**

First of all we want to thank you for purchasing our 6pack bundle!

**The package includes:**

1. two finished build 6packs with laser engraved legend and recall switch.
2. All preinstalled flat cables to connect the 2 6pack`s to the 6pack-mastercard.
3. 6pack-mastercard with quick plugs and installed resistors for the led`s.

**What you need for IO-card connection:**

1. Flatcable AWG28 with 24 poles to connect the 6pack-mastercard to your input/output card.

**Compatibility with IO-systems:**

The 6pack-mastercard is designed for the Opencockpits IO-system from [www.opencockpits.com](http://www.opencockpits.com) !

The 6pack-mastercard can be connected to the Opencockpits Mastercard. It uses 16 outputs for the led`s and 6 inputs for the recall switches and Mastercaution and FireWarn switches.

Other IO-systems >>> the 6pack-mastercard can be connected to every IO-system that uses +5V for the outputs(led`s) and has inputs for the switches.

**Connection to the Opencockpits mastercard:**

The 6 inputs incl. ground terminal from the 6pack-mastercard are connected to one group of inputs on the OC-mastercard (J3/J4).

The 14 outputs incl. Ground terminal from the 6pack-mastercard are connected to the J2 connector of the Opencockpits mastercard.

**The „Master Caution“ and „Fire Warn“ switches will be available in a an extra package !**

## Layout of the 6pack-mastercard

### Description of the layout

#### 1.connector 14 pole on the top side „2QPONMLKJIHGF2“

Here both 6packs are connected with the 2 provided 7pole flatcables (led outputs).

Top right side for Copilot 6pack and Top left side for the Pilot 6pack.

#### 2.connector 10 pole on left side „A2B2C2C6D6E6“

Here the 6pack „recall switch“ and the „Master Caution“ and „Fire Warn“ switches are connected for the Pilot side.

#### 3.connector 10 pole on right side „6V6U6T2S2R“

Here the 6pack „recall switch“ and the „Master Caution“ and „Fire Warn“ switches are connected for the Copilot side.

#### 4. connector 24 pole on bottum side „EDC2BAFGHIJKLMNOPQRSTUVWXYZ“

Here you connect the 24 pole flatcable for Opencockpits Mastercard connection.

### Description of the connector terminals

<b>Connector terminal</b>	<b>Description</b>
<b>2</b>	<b>Ground terminal for the led`s</b>
<b>6</b>	<b>Ground terminal for the switches (inputs)</b>
<b>A</b>	<b>Output +5v led Master Caution Pilot side</b>
<b>B</b>	<b>Output +5v led Fire Warn Pilot side</b>
<b>C</b>	<b>Input Master Caution switch Pilot side</b>
<b>D</b>	<b>Input Fire Warn switch Pilot side</b>
<b>E</b>	<b>Input 6pack Recall switch Pilot side</b>
<b>R</b>	<b>Output +5v led Master Caution Copilot side</b>
<b>S</b>	<b>Output +5v led Fire Warn Copilot side</b>
<b>T</b>	<b>Input Master Caution switch Copilot side</b>
<b>U</b>	<b>Input Fire Warn switch Copilot side</b>
<b>V</b>	<b>Input 6pack Recall switch Copilot side</b>
<b>Q</b>	<b>Output +5v led „Doors“ 6pack Copilot side</b>
<b>P</b>	<b>Output +5v led „Air Cond“ 6pack Copilot side</b>
<b>O</b>	<b>Output +5v led „Overhead“ 6pack Copilot</b>

	side
N	Output +5v led „Hyd“ 6pack Copilot side
M	Output +5v led „Anti Ice“ 6pack Copilot side
L	Output +5v led „Eng“ 6pack Copilot side
K	Output +5v led „Elec“ 6pack Pilot side
J	Output +5v led „Flt Cont“ 6pack Pilot side
I	Output +5v led „IRS“ 6pack Pilot side
H	Output +5v led „APU“ 6pack Pilot side
G	Output +5v led „OVHT/DET“ 6pack Pilot side
F	Output +5v led „Fuel“ 6pack Pilot side

## Description of the 6pack 7pole connection cable

### 1.Pilot side:

The 1. cable is blue coloured (ground) and is connected to the terminal „2“ on the top quick connector on 6pack-mastercard (top-left 2“)

The 2. cable (output led“Fuel“) is connected to the terminal „F“ on the top quick connector on 6pack-mastercard.

The 3. cable (output led“OVHT/DET“) is connected to the terminal „G“ on the top quick connector on 6pack-mastercard.

The 4. cable (output led“APU“) is connected to the terminal „H“ on the top quick connector on 6pack-mastercard.

The 5. cable (output led“IRS“) is connected to the terminal „I“ on the top quick connector on 6pack-mastercard.

The 6. cable (output led“Flt Cont“) is connected to the terminal „J“ on the top quick connector on 6pack-mastercard.

The 7. cable (output led“Elec“) is connected to the terminal „K“ on the top quick connector on 6pack-mastercard.

### 2.Copilot side:

The 1. cable is the blue coloured (ground) and is connected to the terminal „2“ on the top quick connector on 6pack-mastercard (top-right 2“)

The 2. cable (output led“Doors“) is connected to the terminal „Q“ on the top quick connector on 6pack-mastercard.

The 3. cable (output led“Air Cond“) is connected to the terminal „P“ on the top quick connector on 6pack-mastercard.

The 4. cable (output led“Overhead“) is connected to the terminal „O“ on the top quick connector on 6pack-mastercard.

The 5. cable (output led“HYD“) is connected to the terminal „N“ on the top quick connector on 6pack-mastercard.

The 6. cable (output led“Anti Ice“) is connected to the terminal „M“ on the top quick connector on 6pack-mastercard.

The 7. cable (output led“ENG“) is connected to the terminal „L“ on the top quick connector on 6pack-mastercard.

### **Description of the „Master Caution“ and „Fire Warn“ switch connection cables**

1.Master Caution switch 2pole cable Pilot side:

One of the 2 cables is connected to the left side quick connector terminal „C“ and the other cable to the ground terminal „6“ besides terminal „C“

2.Fire Warn switch 2pole cable Pilot side:

One of the 2 cables is connected to the left side quick connector terminal „D“ and the other cable to the ground terminal „6“ besides terminal „D“

3.Master Caution switch 2pole cable Copilot side:

One of the 2 cables is connected to the right side quick connector terminal „T“ and the other cable to the ground terminal „6“ besides terminal „T“

4.Fire Warn switch 2pole cable Copilot side:

One of the 2 cables is connected to the right side quick connector terminal „U“ and the other cable to the ground terminal „6“ besides terminal „U“

### **Description of the „Recall Switch“ connection cables**

1.Recall Switch switch 2pole cable Pilot side:

One of the 2 cables is connected to the left side quick connector terminal „E“ and the other cable to the ground terminal „6“ besides terminal „E“

2.Recall Switch 2pole cable Copilot side:

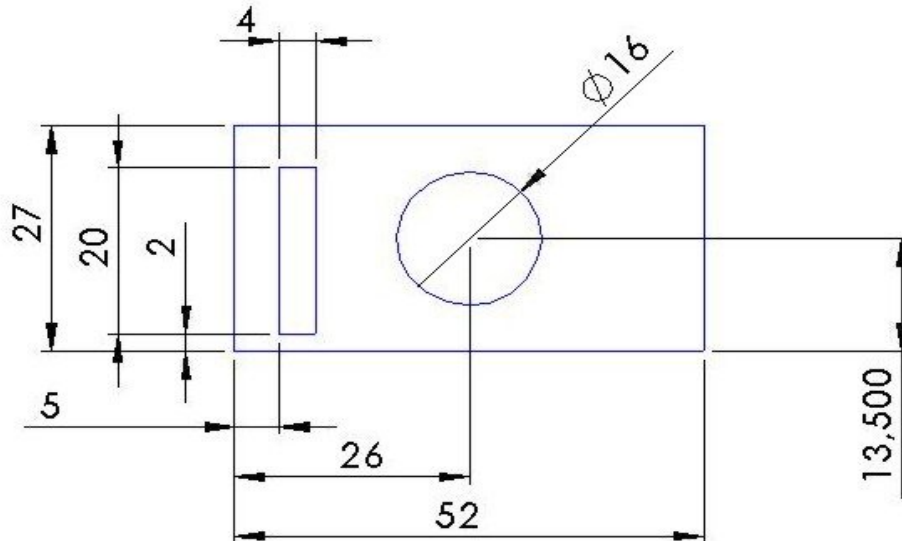
One of the 2 cables is connected to the right side quick connector terminal „V“ and the other cable to the ground terminal „6“ besides terminal „V“

### **Mounting your 6pack in the glare wings**

To mount the 6pack you must drill a hole with diameter 16mm for the „Recall Switch“ at the right position in your glare wing.

Beside that hole you must do a cutout of 20x4 mm for the 7pole flatcable.

Please see the technical drawing for details !



**Attention !**

**Never connect the led`s from the sixpack to an interface without resistors !!!**

**If you want to connect it without the mastercard you need for each led a resistor with 100Ohm!!!**

**The led`s have a voltage of 3,2-3,4 volts.**

**The suggested voltage to drive the led`s is +5vDC**

**We are not responsible to any damage to the sixpack when connected without resistors to an wrong voltage !**

Copyright by Georg Schneider & Jörg Weinmann  
simcockpitshop.de & simparts.de