

6pack Dokumentation version 1.2

Date : 06.05.2009

„Flightdeck Solution SYS3 card“ compatible version

First of all we want to thank you for purchasing our 6pack !

The package includes:

- 1.two finished build 6packs with laser engraved legend and recall switch.
- 2.All preinstalled flat cables to connect the 2 6pack`s

Compatibility with IO-systems:

This version of the sixpack is specially made for the „Flightdeck Solution SYS3 card“. This interface uses a led matrix that drives each led with 2,2-2,4 volts.

The led`s in our sixpack have amber colour and running on 2,2-2,4 volts.

Every led needs one output from the interface !

The 6 led`s from one sixpack share one common ground.

For detailed informations on how to connect led`s to your „Flightdeck Solution SYS3“ interface see the owners manual of the interface.

Attention:

If you intend to use the sixpack on a different interface system that have +5vDC on the outputs you need resistors with 100Ohm!!!

Description of the 6pack 7pole connection cable

1.Pilot side:

The 1. cable is blue coloured (ground) and is connected to the common ground of the outputs group from your interface.

The 2. cable (output led“Fuel“) is connected to one output of your interface.

The 3. cable (output led“OVHT/DET“) is connected to one output of your interface.

The 4. cable (output led“APU“) is connected to one output of your interface.

The 5. cable (output led“IRS“) is connected to one output of your interface.

The 6. cable (output led“Flt Cont“) is connected to one output of your interface.

The 7. cable (output led“Elec“) is connected to one output of your interface.

2.Copilot side:

The 1. cable is the blue coloured (ground) and is connected to the common ground of the outputs group from your interface.

The 2. cable (output led“Doors“) is connected to one output of your interface.

The 3. cable (output led“Air Cond“) is connected to one output of your interface.

The 4. cable (output led“Overhead“) is connected to one output of your interface.

The 5. cable (output led“HYD“) is connected to one output of your interface.

The 6. cable (output led“Anti Ice“) is connected to one output of your interface.

The 7. cable (output led“ENG“) is connected to one output of your interface.

Description of the „Recall Switch“ connection cables

1.Recall Switch switch 2pole cable Pilot side:

One of the 2 cables is connected to one input of your interface and the other cable to the corresponding ground terminal.

2.Recall Switch 2pole cable Copilot side:

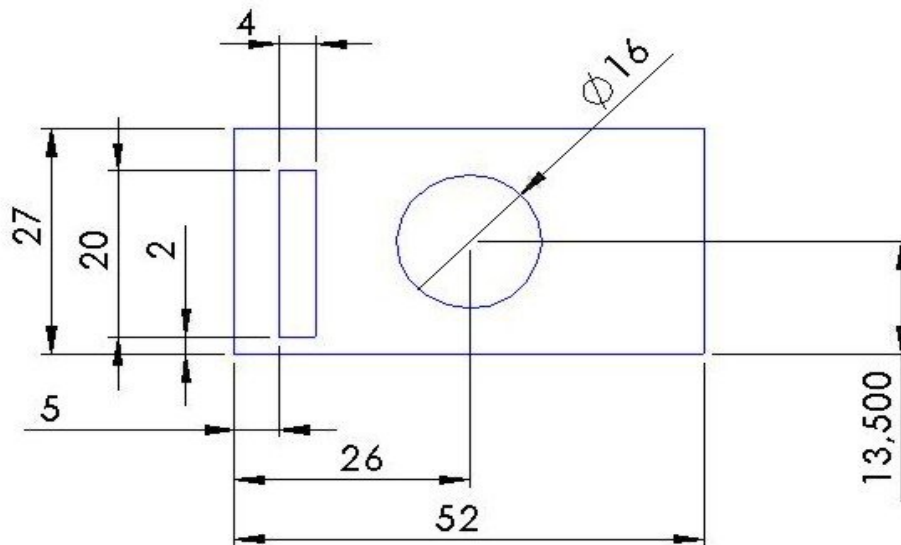
One of the 2 cables is connected to one input of your interface and the other cable to the corresponding ground terminal.

Mounting your 6pack in the glare wings

To mount the 6pack you must drill a hole with diameter 16mm for the „Recall Switch“ at the right position in your glare wing.

Beside that hole you must do a cutout of 20x4 mm for the 7pole flatcable.

Please see the technical drawing for details !



Attention !

Never connect the led`s from the sixpack to an interface other than the „Flightdeck Solution SYS3 card“ without resistors !!!

If you want to connect it without the mastercard you need for each led a resistor with 100Ohm!!!

The led`s have a voltage of 2,2-2,4 volts.

The suggested voltage to drive the led`s is +5vDC

We are not responsible to any damage to the sixpack when connected without resistors to an wrong voltage !

**Copyright by Georg Schneider & Jörg Weinmann
simcockpitshop.de & simparts.de**